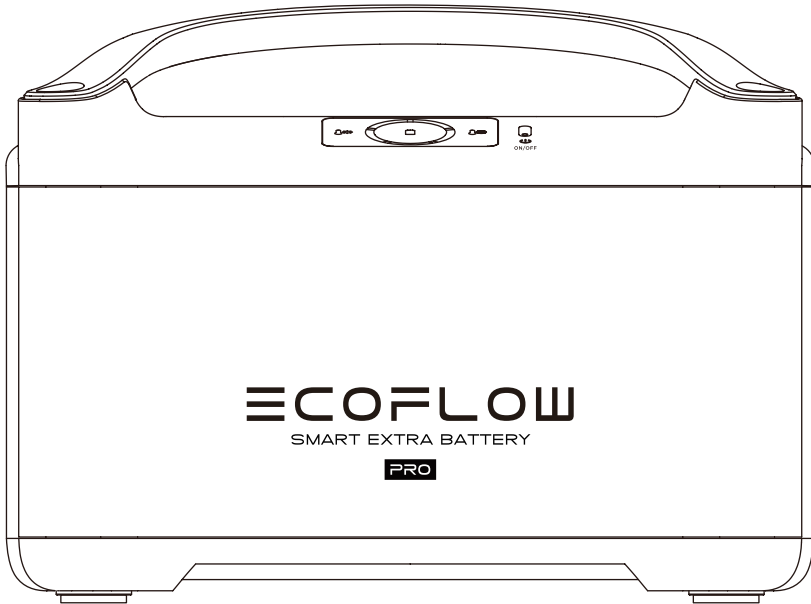


ECOFLOW

User Manual

EcoFlow RIVER Pro Extra Battery

(for EcoFlow RIVER Pro only)



Contact us:
www.ecoflow.com



WARNING

1. Keep EcoFlow™ RIVER Pro Extra Battery (“RIVER Pro Extra Battery”) and the accessories dry. DO NOT expose the product and accessories to high heat.
2. Never disassemble, puncture, shock, damage, or incinerate the product.
3. Recycle and dispose of the RIVER Pro Extra Battery in accordance with local regulations.
4. Pay attention to safety when handling the RIVER Pro Extra Battery.
5. Children or people with disabilities or should use the product under adult supervision.

Glossary

The following terms are used in this document to indicate various levels of potential harm that may be caused by improper operation.

NOTICE

The instructions, if not properly followed, may result in property damage and minor physical damage.

CAUTION

The instructions, if not properly followed, may result in property damage and serious physical damage.

WARNING

The instructions, if not properly followed, may result in property damage, major accident and serious injury.

WARNING

Read the ENTIRE User Manual before operating. Failure to operate the product correctly may result in damage to the product or personal property and cause serious injury. EcoFlow will not assume any legal responsibility. DO NOT use the product with incompatible components or alter the product in any way without following the instructions provided by EcoFlow. Otherwise, you cannot get after-sales service from EcoFlow under warranty condition. These Safety Guidelines include instructions for safety, operation and maintenance. It is important to read and follow all the instructions and warnings in the User Manual before assembly, setup or use.

Product Safety Guidelines

WARNING

Improper use may result in fire, property damage or personal injury. Make sure to use the product according to the following safety rules and guidelines.

Product Disclaimer

Read all safety tips, warning messages, terms of use and disclaimers carefully. Refer to the terms of use and disclaimer at <https://ecoflow.com/pages/terms-of-use> and stickers on the product before use. Users take full responsibility for all usage and operations. Familiarize yourself with the related regulations in your area. You are solely responsible for being aware of all relevant regulations and using EcoFlow products in a way that is compliant.

Product Use:

1. DO NOT expose the product to any liquids. DO NOT immerse the product in water. DO NOT leave the batteries out in the rain or near a source of moisture. Moisture in the product could cause short circuits, component failure, fires or even explosions.
2. Never use NON- EcoFlow parts. Go to <http://www.EcoFlow.com> to purchase new parts. EcoFlow takes no responsibilities for any damages caused by the use of non-EcoFlow parts.
3. Never install or remove the RIVER Pro Extra Battery or other modules from the RIVER Pro when it is turned on. DO NOT plug or unplug other modules when the power of the product is turned on, otherwise the power interface may be damaged.
4. DO NOT use the product in environments above 140°F (60°C), it may cause fire or explosion. Using the product in environments below -4°F (-20°C) will severely affect the performance of the product. Allow the product to return to a normal operating temperature before use it.
5. DO NOT use the batteries in strong electrostatic or electromagnetic environments. Otherwise, the battery control board may malfunction and cause serious accidents during use.
6. Never disassemble or puncture the product in any way. Otherwise, it may leak, catch fire, or explode.
7. DO NOT use the product if it was involved in a crash or suffered a forceful jolt.
8. If the product falls into the water during use, take the product out immediately and put it in a safe and open area. Keep a safe distance from it until it is completely dry. Never use it again and dispose of it properly as described in the Battery Disposal section below. If the product catches fire, it is recommended to use fire extinguishing equipment in the following order: water or water mists, sand, fire blanket, dry powder fire extin-

9. DO NOT put the RIVER Pro Extra Battery in a microwave oven or in a pressurized container.
10. DO NOT allow pins, wires or other metal pieces to insert to the RIVER Pro Extra Battery case, outlets or controls. Metal pieces may short circuit the product.
11. Avoid collision. DO NOT place heavy objects on top of the RIVER Pro Extra Battery.
12. If there is dirt on any plug or outlet surface, use a dry cloth to clean it. Otherwise, it will cause abrasion and result in energy loss or inability to charge.
13. You can only connect the RIVER Pro Extra Battery to the RIVER Pro. Do not connect the RIVER Pro Extra Battery to other products. EcoFlow will not be responsible for any losses or damages caused by failure to follow this instruction.

Product Charging:

1. Always use EcoFlow approved charging cables. RIVER Pro Extra Battery can only be used with RIVER Pro. DO NOT connect RIVER Pro Extra Battery to other products. EcoFlow will not be responsible for any losses or damages caused by failure to follow this instruction.
2. When charging, please place the RIVER Pro Extra Battery on the ground with no flammable or combustible materials around. To prevent accidents, never leave it unattended during charging.
3. DO NOT charge a product immediately after a long or heavy load, because the product temperature may have become too high. DO NOT charge a product until it cools down to room temperature.

Product Storage and Transportation:

1. Keep the RIVER Pro Extra Battery out of the reach of children. If any children accidentally swallow parts, please seek medical attention immediately.
2. If a low-battery warning appears, charge the battery before storing it. Otherwise, long-term storage may cause damages to the batteries in the product. Batteries in the product will enter hibernation mode if it is depleted and stored for a long time. Recharge the product can bring the battery out of hibernation.
3. DO NOT place the product near a heat source or under high temperature, such as inside a car in direct sunlight, a fire source, or an operating stove.
4. Store the product in dry environments. Please keep it away from water.
5. Make sure no objects can fall on or around the product while it is being stored.
6. Never ship a product with a battery power level higher than 30%.

Product Battery Disposal:

1. Dispose of the RIVER Pro Extra Battery in specific recycling boxes after a complete discharge. Batteries are hazardous chemicals. Please strictly follow your local regulations regarding the battery disposal and recycling.
2. Dispose of the product if power cannot be turned on after over-discharging.

Product Maintenance:

1. Temperature for normal use and storage of this product is -4°F to 113°F (-20°C to 45°C) and temperature for optimal use and storage of this product is 68°F to 77°F (20°C to 25°C).
2. If the product is not used for a long time, the battery life may be reduced.
3. Discharge RIVER Pro Extra Battery to 30%, then charge to 85% every 3 months to keep the battery healthy.

Travel Notice:

Do not bring the RIVER Pro Extra Battery on flights.

RIVER Pro Extra Battery Use, Care and Safety Guide

CONGRATULATIONS!

You are now an EcoFlow product user. This brief pamphlet is meant to help you. Please take some time to read it carefully and understand it before using this product!

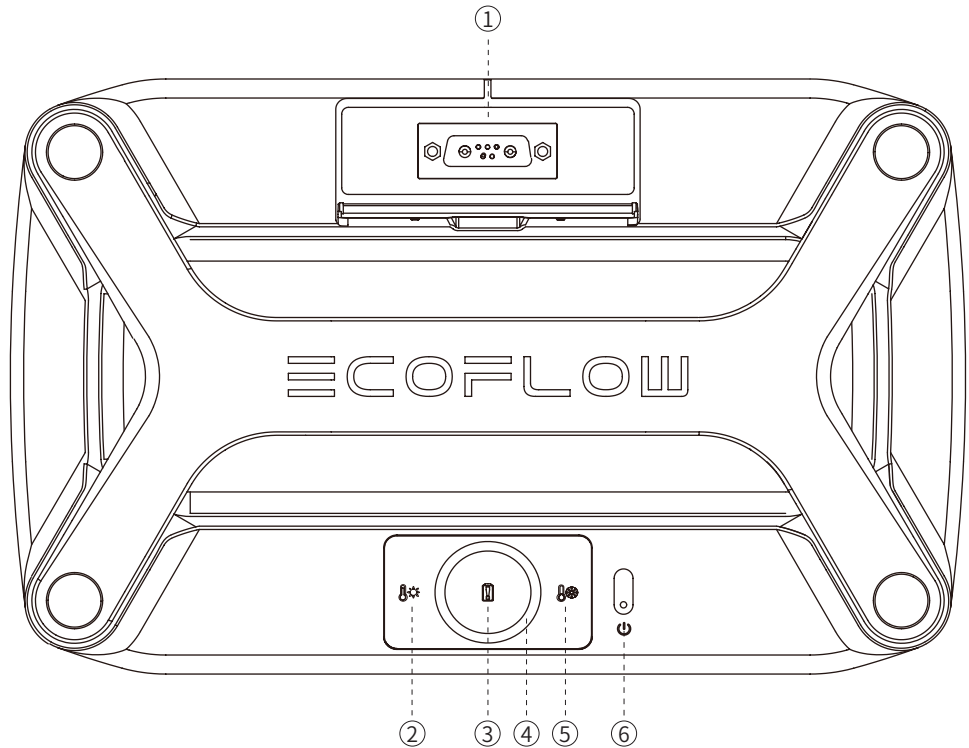
NOTICE

To turn RIVER Pro Extra Battery on/off, you need to press and hold the Power Button. Before connecting it to RIVER Pro, make sure that RIVER Pro Extra Battery is turned off. Please, follow this step-by-step introduction to be familiar with each of RIVER Pro Extra Battery's ports, buttons, display screens and more.

CONTENTS

RIVER Pro Extra Battery's Features	1
RIVER Pro and RIVER Pro Extra Battery Connection	2
How to recharge RIVER Pro Extra Battery	3
Technical Specifications	3
FAQs	4
What's in the Box	4

RIVER Pro Extra Battery's Features



1. Expansion Power Port

2. High Temperature Indicator

3. Battery Warning Indicator

4. Battery Level Indicator

5. Low Temperature Indicator

6. Power Button

1. Expansion Power Port

Plug in the Expansion Power Cable into this port to connect your RIVER Pro Extra Battery to a RIVER Pro to expand the RIVER Pro's capacity to 1440Wh. The port supports a maximum of 660W charging and 720W discharging of RIVER Pro Extra Battery.

2. High Temperature Indicator

When the ambient temperature is too high (above 140°F/60°C), the red high temperature warning light will flash. Please move the product to a location with a suitable temperature for the product to function normally. When the ambient temperature is above 113°F(45°C) while the product is being charged, the red high temperature warning light will flash as well. Please move the product to a location with a suitable temperature for the product to charge normally.

3. Battery Warning Indicator

When the battery malfunctions, try to resolve the issue by restarting the product.. If the Battery Warning Indicator keep flashing, please contact the customer support team. Do not charge the unit.

4. Battery Level Indicator

The battery level is indicated by five lights. When the product is being charged, the lights will flash in sequence. When the battery is malfunctioning, all five lights will flash together at the same time.

5. Low Temperature Indicator

When the ambient temperature is too low (below $-4^{\circ}\text{F}/-20^{\circ}\text{C}$), the blue low temperature warning light will flash. Please move the product to a location with a suitable temperature for the product to function normally. When the ambient temperature is below 0°C while the product is being charged, the blue low temperature warning light will flash as well. Please move the product to a location with a suitable temperature for the product to charge normally.

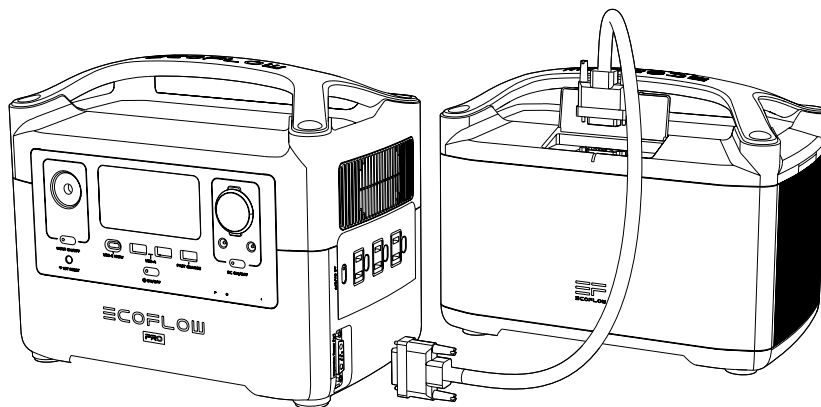
6. Power Button

Press and hold the Power Button 1 second to turn the RIVER Pro Extra Battery on and off. When the RIVER Pro Extra Battery is turned on, the display will light up. When the RIVER Pro Extra Battery is running, you can switch on or off the display screen by pressing the Power Button once. When the RIVER Pro Extra Battery is connected to the RIVER Pro, its standby time will follow the current settings of the RIVER Pro.

RIVER Pro Connect with RIVER Pro Extra Battery

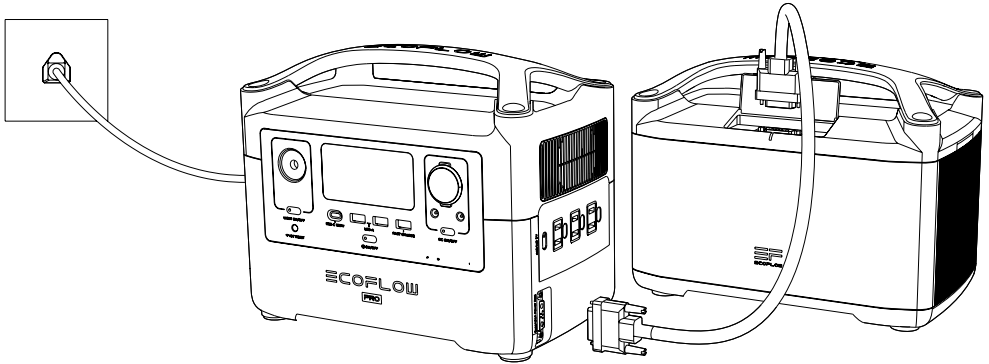
Get the RIVER Pro, RIVER Pro Extra Battery and Expansion Power Cable ready. Power off both the RIVER Pro and RIVER Pro Extra Battery before attempting to connect them together. If the products are not turned off, they cannot be successfully connected. Then follow the steps below.

1. Open the Expansion Port cover below the AC port of the RIVER Pro to access the Expansion Power Port. Connect the Expansion Power Cable to the port. Tighten the screws on both sides of the port to secure the connection.
2. Open the Expansion Port cover of the RIVER Pro Extra Battery to access the Expansion Power Port. Connect the free end of the Expansion Power Cable to the RIVER Pro Extra Battery Expansion Power Port. Tighten the screws on both sides of the port to secure the connection.
3. Turn on the power button of the RIVER Pro or RIVER Pro Extra Battery. If the display of the RIVER Pro shows the extra battery icon, the connection is successful. Fully charge the products for the first time and ensure the voltage is consistent to maximize the performance.



How to Recharge RIVER Pro Extra Battery

You can only recharge the RIVER Pro Extra Battery by connecting it to the RIVER Pro that is connected to a power supply. Please follow the RIVER Pro and RIVER Pro Extra Battery connection instruction to connect the two units. After successful connection, follow the steps of recharging method of the RIVER Pro to recharge the RIVER Pro and the RIVER Pro Extra Battery via AC power, 12V car charger or solar panels. (Below is a demonstration of recharging the units via an AC source)



TECHNICAL SPECIFICATIONS

General Specs

Net Weight	16.0 lbs (7.3kg)
Dimensions	11.3 x 7.1 x 8.3 in (28.8 x 18 x 21 cm)
Capacity	720Wh (28.8V)
Testing and certification	UL CE FCC RoHS RCM

Outputs

Expansion Power Port	24.4V-33.6V, 720W Max
----------------------	-----------------------

Input

Expansion Power Port	33.6V, 660W Max
----------------------	-----------------

Battery

Cell Chemistry	Lithium-ion
Cell Type	18650
Discharge Temperature	-4°F to 140°F (±5°F), -20°C to 60°C (±3°C)
Charge Temperature	32°F to 113°F (±5°F), 0°C to 45°C (±3°C)
Shelf Life	1 Year (after fully charged)
Life Span	800 Cycles to 80%+ capacity

FAQs

How do I clean RIVER Pro Extra Battery?

The RIVER Pro Extra Battery is versatile, simple cleaning will likely be required from time to time. Use dry, non-abrasive cloth to wipe. If you want to clean more thoroughly, we recommend that you use we recommend that you use detergent that is used for cleaning mobile phones. DO NOT expose the RIVER Pro Extra Battery to large amounts of liquid!

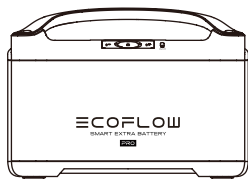
How do I store RIVER Pro Extra Battery?

Please store RIVER Pro Extra Battery in a dry place and avoid direct contact with water. Turn off its main switch and store it at room temperature. If you need to store the RIVER Pro Extra Battery for a long time, please discharge the RIVER Pro Extra Battery to 30%, then charge it to 85% every 3 months.

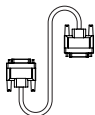
How do I use RIVER Pro Extra Battery safely?

Please use RIVER Pro Extra Battery within its recommended operating temperature range. Using RIVER Pro Extra Battery outside the recommended operating temperature range may cause RIVER Pro Extra Battery to exceed its safe and effective working limits. RIVER Pro Extra Battery is not waterproof. DO NOT immerse RIVER Pro Extra Battery in water. Doing so will void the warranty.

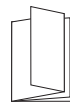
WHAT'S IN THE BOX



**RIVER Pro
Extra Battery**



**Expansion Power
Cable**



**User Manual and
Warranty Card**

EcoFlow™ is a trademark of Shenzhen EcoFlow Technology Limited (abbreviated as “EcoFlow”) and its affiliated companies.